

Product features

- Applicators for end and side feed terminals
- Feed and fine positioning of the terminals via adjustment screw
- With or without integrated adjustment of the crimp height for wire and insulation crimp as required
- End and side feed terminals with open crimp barrel
- Side feed terminals with closed crimp barrel

Applicator MQC HD

- Use in bench machines or lead-maker crimping machines
- Adjustment of the feed stroke and fine positioning of the terminals via an adjustment screw
- Available either with air feed or mechanical feed

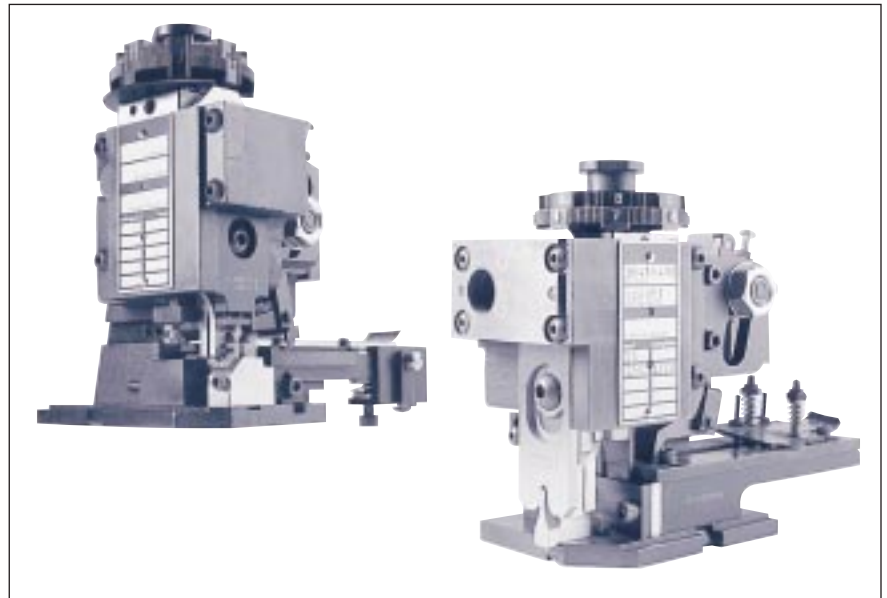
Technical features

Applicator MQC HD

- Compressed air supply for air feed at 600 kPa min.
- Mass: max. 4,4 kg (Approx. 20% lighter as the previous MQC-HD Applicator)
- Fine adjustment**
- Adjustment range ± 0.09 mm in increments of 0.03 mm, in addition to the normally 4 crimp heights of the MQC tool which are set by machining
- MQC and MQC-HD applicators already delivered can be converted at a later stage

AMP products which can be processed

- Side Feed and End Feed crimp contacts for wire cross-sections from 0,03 tab mm²



MQC-HD Applicator with/without fine adjustment

These tools crimp terminals attached to a carrier strip to stripped individual wire ends. The relevant applicator is fixed in the crimp machine above a T groove and secured by clamps on the locator plate. Then the terminals are moved to the correct crimping position. Depending on the type of tool the front knife or the back knife separates the carrier strip(s) from the terminal(s).

Only with applicator type MQC-HD-F a precise wire and insulation crimp height adjustment is located directly on the applicator. Therefore, the applicator can also be used in machines which are not equipped with a fine adjustment.

Crimp height fine adjustment tool

Machine application: The crimp height fine adjustment tool is an accessory to the crimping tool for side feed and end feed contacts. The crimping tool has already been adjusted at the factory. The crimp height fine adjustment facilitates the correction of difference between the nominal and actual crimp height in a speedy and uncomplicated manner.

Fine adjusting the crimp height: The fine adjustment disc can be turned from the nominal marking in each direction by three locking steps. The crimp height is decreased or increased by 0.03 mm per locking step.

The Americas

Regional Center
Harrisburg, PA, U.S.A.
Phone: +1-717-564-0100
+1-800-522-6752
FAX: +1-717-986-7575

AMP S.A. Argentina C.I.Y.F.
Buenos Aires, Argentina
Phone: +54-1-733-2000
FAX: +54-1-717-0988

AMP of Canada, Ltd.
Markham (Toronto)
Ontario, Canada
Phone: +1 905-475-6222
FAX: +1 905-474-5520

AMP do Brasil, Ltda.
São Paulo, Brazil
Phone: +55-11-861-1311
FAX: +55-11-861-0397

AMP de Chile
Santiago, Chile
Phone: +56-2-236-4267
FAX: +56-2-235-0061

LAEO Argentina C.I.Y.F.
Buenos Aires, Argentina
Phone: +54-1-733-2015
FAX: +54-1-733-2083

AMP de Mexico, S.A.
Mexico City, Mexico
Phone: +525-398-7611
FAX: +525-398-7964

AMP Packaging Systems
Austin, TX, U.S.A.
Phone: +1-512-244-5100
FAX: +1-512-244-7040

Asia/Pacific

Regional Center
Kawasaki, Japan
Phone: +81-44-813-8502
FAX: +81-44-813-8500

Australian AMP Pty., Ltd.
Castle Hill, NSW 2154
Phone: +61-2-9840-8200
FAX: +61-2-9899-5649

AMP India Pvt., Ltd.
Bangalore
Phone: +91-80-841-0200
FAX: +91-80-841-0210

AMP Indonesia
Jakarta
Phone: +6221-526-7852
FAX: +6221-0526-7856

AMP (Japan), Ltd.
Kawasaki
Phone: +81-44-844-8111
FAX: +81-44-812-3207

AMP Korea, Ltd.
Seoul, South Korea
Phone: +82-3274-0535
FAX: +82-3274-0524

New Zealand AMP, Ltd.
Auckland
Phone: +64-9-634-4580
FAX: +64-9-634-4586

AMP Philippines Inc.
Makati City
Phone: +632-811-0437
FAX: +632-811-0441

AMP Products (Malaysia) Sdn. Bhd.
Kuala Lumpur
Phone: +603-705-3055
FAX: +603-705-3066

Peoples Republic of China
Hong Kong
Phone: +852-2-35-1628
FAX: +852-2-35-0243

Shanghai
Phone: +86-21-6485-0602
FAX: +86-21-6485-0728

Shunde
Phone: +86-765-7751368
FAX: +86-765-7752823

AMP Singapore Pte., Ltd.
Singapore
Phone: +65-482-0311
FAX: +65-482-1012

AMP Taiwan B.V., Taipei
Phone: +886-2-2325-0391
FAX: +886-2-2325-0398

AMP (Thailand), Ltd.
Bangkok
Phone: +91-662-955-0500
FAX: +91-662-955-0505

Vietnam Ho Chi Minh City
Phone: +848-823-2546
FAX: +848-823-1443

AMP Worldwide Field Service

Wherever you are in the world -from the very first day that AMP products go into your manufacturing process, AMP is on hand to ensure the smooth installation and running of our application equipment. AMP field service engineers will be on site to set up

machinery, and train the customer's personnel in its use. In the case of fully automated machinery, AMP engineers will perform regular checks to ensure trouble free running. Any problems in production are quickly addressed. This concept increases productivity & output.

Europe/Middle East/Africa

Regional Center
Stoke Poges, SL2 4JL England
Phone: +44-1753-676-800
FAX: +44-1753-676-801

AMP Belgium
Zaventem (Brussels)
Phone: +32-2-719-2511
FAX: +32-2-725-4928

Bulgaria, Sofia
Phone: +359-2-971-2152
FAX: +359-2-971-2153

Croatia, Zagreb
Phone: +385-1-67-04-46
FAX: +385-1-69-16-04

AMP Czech s.r.o., Kurim
Phone: +420-5-41-162-111
FAX: +420-5-41-162-223

AMP Denmark, Viby
Phone: +45-86-295-055
FAX: +45-86-295-133

AMP Deutschland GmbH
Bensheim, Germany
Phone: +49-6251-1330
FAX: +49-6251-133470

AMP Elektrik-Elektronik
Baglantı Sistemleri Ticaret Ltd. Sti.
Istanbul, Turkey
Phone: +90-212-281-8181
FAX: +90-212-281-8184

Egypt, Cairo
Phone: +202-417-76-47
FAX: +202-419-23-34

AMP Española S.A., Barcelona
Phone: +34-3-291-0330
FAX: +34-3-201-7879

Estonia, Tallinn
Phone: +372-6205-800
FAX: +372-6405-354

AMP Finland Oy, Helsinki
Phone: +358-9-512-3420
FAX: +358-9-512-34250

AMP de France S.A.
Pontoise
Phone: +33-1-3420-8888
FAX: +33-1-3420-8600

AMP of Great Britain, Ltd.
Stanmore Middlesex, England
Phone: +44-181-954-2356
FAX: +44-181-954-6234

Greece, Athens
Phone: +30-1-902-5515
FAX: +30-1-902-4237

AMP-Holland B.V.
's-Hertogenbosch
Phone: +31-73-624-6246
FAX: +31-73-621-2365

AMP Hungary Trading Kft
Budapest
Phone: +36-1-344-2633
FAX: +36-1-344-2634

AMP Ireland, Ltd., Dublin
Phone: +353-1-820-3000
FAX: +353-1-820-9790

Israel, Tel Aviv
Phone: +972-3-649-1482
FAX: +972-3-648-4041

AMP Italia S.p.A.
Collegno (Torino) Italy
Phone: +39-11-401-2111
FAX: +39-11-403-1116

Lithuania, Vilnius
Phone: +37-02-231-402
FAX: +37-02-231-403

AMP Norge AS, (Nesbru) Oslo
Phone: +47-66-77-88-50
FAX: +47-66-77-88-55

AMP Österreich Ges.m.b.H.
Wien (Vienna), Austria
Internal Phone: (0222) 277-97-0
FAX: (0222) 270-26 61
Outside Phone: +43-1-277-97-0
FAX: +43-1-270-26-61

AMP Packaging Systems
Dublin, Ireland
Phone: +353-1-806-6500
FAX: +353-1-806-6501

AMP Polska Sp.z.o.o.
Warszawa
Phone: +48-22-672-47-90/91/92
FAX: +48-22-672-47-88

AMP Portugal, Lda., Lisbon
Phone: +351-1-387-70-16
FAX: +351-1-387-71-72

Romania, Bucharest
Phone: +40-1-311-3479/3596
FAX: +40-1-312-0574

Russia, Moscow
Phone: +7-095-926/
5506/07/08/09
FAX: +7-095-926-5505

Slovakia, Bystrica
Phone: +421-88-761-120/121
FAX: +421-88-761-122

AMP d.o.o. in Slovenia
Ljubljana
Phone: +386-61-161-3270
FAX: +386-61-161-3240

South Africa, Johannesburg
Phone: +27-11-805-65-35
FAX: +27-11-805-65-40

AMP Svenska AB
Stockholm-Jakobsberg
Phone: +46-8-580-833-00
FAX: +46-8-580-194-70

AMP (Schweiz) AG
Steinach, Switzerland
Phone: +41-71-447-0447
FAX: +41-71-447-0444

Ukraine, Kiev
Phone / FAX : +38-044-246-5501

For Middle East/African Countries not shown
Phone: +33-1-34-20-83-83
FAX: +33-1-34-20-86-09

Related Business

ARA – Applied Robotics and Automation
Rousset Cedex, France
Phone: +33-4-42-29-1200
FAX: +33-4-42-29-1212

DSM Decolletage S.A. Saint-Maurice
Saint-Maurice, Switzerland
Phone: +41-24-486-2486
FAX: +41-24-486-2400

HTS Division
Neunkirchen, Germany
Phone: +49-2247-305-0
FAX: +49-2247-305-122

AMP M/A-COM Division Americas
Phone: +1-508-442-5000
FAX: +1-508-442-5354

Europe/Middle East/Africa
Phone: +44-1344-869595
FAX: +44-1344-300020

Asia/Pacific
Phone: +852-2111-8088
FAX: +852-2111-8087

AMP-SIMEL S.A.
Gevrey - Chambertin, France
Phone: +33-3-805-83200
FAX: +33-3-8034-1015

INTERNET : <http://www.amp.com>

For more information please contact your local AMP representative. AMP and Connecting at a HIGHER level are trade marks.

889858 - 1.5 M - 10-98 NL