

Product features

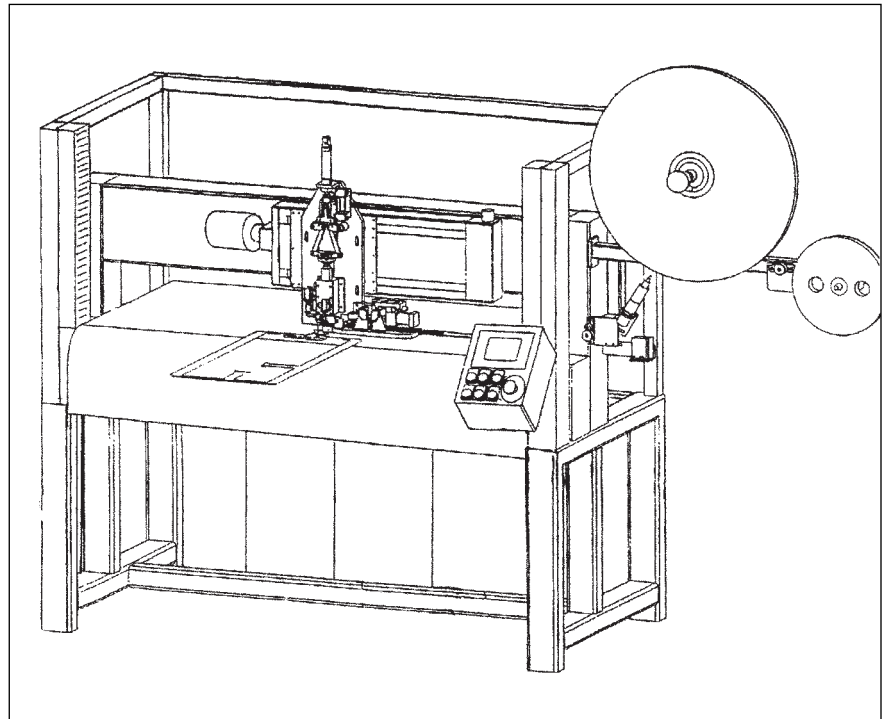
- Easy-to-use operator interface with touch screen
- Insertion head mounted on linear axes
- Manual loading of flexible sensor and PCB
- Insertion head bends ACTION PIN 90° prior to insertion

Technical features

- Control: Siemens PLC
- Operator Interface: touch screen
- Noise level: <75 d(B) A
- Power supply: 230 V - 50 Hz
- Dimensions: Length = 1100 mm
Width = 650 mm
Height = 700 mm
- Compressed air supply: 5-8 bar

AMP products which can be processed

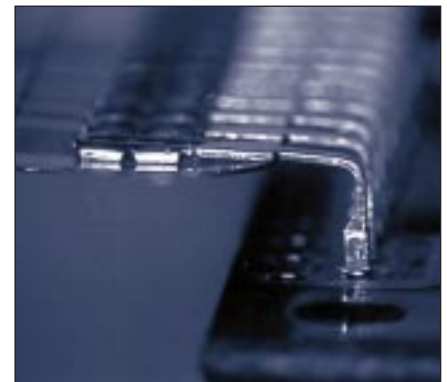
- ACTION PIN/FFC Contact
P/N 968429



This machine has been specially designed to connect a Flexible Printed Sensor with a PCB by using an ACTION PIN/FFC-Contact. The Flexible Printed Sensor and the PCB are manually loaded into the machine. While the PCB is held in place by spring loaded clamps the sensor is kept in position by two vacuum suckers. After the cycle has been started, the insertion head is positioned above the first insertion position. The already bend contact is cut off the carrier strip and gets simultaneously inserted into the PCB and crimped to the Flexible Printed Sensor.

Twelve contacts are forming the complete connection between the sensor and the PCB. The force, required to crimp the contact with the Flexible Printed Sensor, is monitored by a force sensor.

To accommodate two types of PCB's, the PCB holder is positioned by pneumatic cylinders. The desired position is selected via the operator interface. The front side of the machine is secured by a safety light curtain.



The Americas

Regional Center

Harrisburg, PA, U.S.A.
Phone: +1-717-564-0100
+1-800-522-6752
FAX: +1-717-986-7575

AMP S.A. Argentina C.I.Y.F.

Buenos Aires, Argentina
Phone: +54-1-733-2000
FAX: +54-1-717-0988

AMP of Canada, Ltd.

Markham (Toronto)
Ontario, Canada
Phone: +1 905-475-6222
FAX: +1 905-474-5520

AMP do Brasil, Ltda.

São Paulo, Brazil
Phone: +55-11-861-1311
FAX: +55-11-861-0397

AMP de Chile

Santiago, Chile
Phone: +56-2-236-4267
FAX: +56-2-235-0061

LAEO Argentina C.I.Y.F.

Buenos Aires, Argentina
Phone: +54-1-733-2015
FAX: +54-1-733-2083

AMP de Mexico, S.A.

Mexico City, Mexico
Phone: +525-398-7611
FAX: +525-398-7964

AMP Packaging Systems

Austin, TX, U.S.A.
Phone: +1-512-244-5100
FAX: +1-512-244-7040

Asia/Pacific

Regional Center

Kawasaki, Japan
Phone: +81-44-813-8502
FAX: +81-44-813-8500

Australian AMP Pty., Ltd.

Castle Hill, NSW 2154
Phone: +61-2-9840-8200
FAX: +61-2-9899-5649

AMP India Pvt., Ltd.

Bangalore
Phone: +91-80-841-0200
FAX: +91-80-841-0210

AMP Indonesia

Jakarta
Phone: +6221-526-7852
FAX: +6221-0526-7856

AMP (Japan), Ltd.

Kawasaki
Phone: +81-44-844-8111
FAX: +81-44-812-3207

AMP Korea, Ltd.

Seoul, South Korea
Phone: +82-3274-0535
FAX: +82-3274-0524

New Zealand AMP, Ltd.

Auckland
Phone: +64-9-634-4580
FAX: +64-9-634-4586

AMP Philippines Inc.

Makati City
Phone: +632-811-0437
FAX: +632-811-0441

AMP Products (Malaysia) Sdn. Bhd.

Kuala Lumpur
Phone: +603-705-3055
FAX: +603-705-3066

Peoples Republic of China

Hong Kong
Phone: +852-2-35-1628
FAX: +852-2-35-0243

Shanghai

Phone: +86-21-6485-0602
FAX: +86-21-6485-0728

Shunde

Phone: +86-765-7751368
FAX: +86-765-7752823

AMP Singapore Pte., Ltd.

Singapore
Phone: +65-482-0311
FAX: +65-482-1012

AMP Taiwan B.V., Taipei

Phone: +886-2-2325-0391
FAX: +886-2-2325-0398

AMP (Thailand), Ltd.

Bangkok
Phone: +91-662-955-0500
FAX: +91-662-955-0505

Vietnam Ho Chi Minh City

Phone: +848-823-2546
FAX: +848-823-1443

AMP Worldwide Field Service

Wherever you are in the world -from the very first day that AMP products go into your manufacturing process, AMP is on hand to ensure the smooth installation and running of our application equipment. AMP field service engineers will be on site to set up

machinery, and train the customer's personnel in its use. In the case of fully automated machinery, AMP engineers will perform regular checks to ensure trouble free running. Any problems in production are quickly addressed. This concept increases productivity & output.

Europe/Middle East/Africa

Regional Center

Stoke Poges, SL2 4JL England
Phone: +44-1753-676-800
FAX: +44-1753-676-801

AMP Belgium

Zaventem (Brussels)
Phone: +32-2-719-2511
FAX: +32-2-725-4928

Bulgaria, Sofia

Phone: +359-2-971-2152
FAX: +359-2-971-2153

Croatia, Zagreb

Phone: +385-1-67-04-46
FAX: +385-1-69-16-04

AMP Czech s.r.o., Kurim

Phone: +420-5-41-162-111
FAX: +420-5-41-162-223

AMP Danmark, Viby

Phone: +45-86-295-055
FAX: +45-86-295-133

AMP Deutschland GmbH

Bensheim, Germany
Phone: +49-6251-1330
FAX: +49-6251-133470

AMP Elektrik-Elektronik

Baglantı Sistemleri Ticaret Ltd. Sti.
Istanbul, Turkey
Phone: +90-212-281-8181
FAX: +90-212-281-8184

Egypt, Cairo

Phone: +202-417-76-47
FAX: +202-419-23-34

AMP Española S.A., Barcelona

Phone: +34-3-291-0330
FAX: +34-3-201-7879

Estonia, Tallinn

Phone: +372-6205-800
FAX: +372-6405-354

AMP Finland Oy, Helsinki

Phone: +358-9-512-3420
FAX: +358-9-512-34250

AMP de France S.A.

Pontoise
Phone: +33-1-3420-8888
FAX: +33-1-3420-8600

AMP of Great Britain, Ltd.

Stanmore Middlesex, England
Phone: +44-181-954-2356
FAX: +44-181-954-6234

Greece, Athens

Phone: +30-1-902-5515
FAX: +30-1-902-4237

AMP-Holland B.V.

's-Hertogenbosch
Phone: +31-73-624-6246
FAX: +31-73-621-2365

AMP Hungary Trading Kft

Budapest
Phone: +36-1-344-2633
FAX: +36-1-344-2634

AMP Ireland, Ltd., Dublin

Phone: +353-1-820-3000
FAX: +353-1-820-9790

Israel, Tel Aviv

Phone: +972-3-649-1482
FAX: +972-3-648-4041

AMP Italia S.p.A.

Collegno (Torino) Italy
Phone: +39-11-401-2111
FAX: +39-11-403-1116

Lithuania, Vilnius

Phone: +37-02-231-402
FAX: +37-02-231-403

AMP Norge AS, (Nesbru) Oslo

Phone: +47-66-77-88-50
FAX: +47-66-77-88-55

AMP Österreich Ges.m.b.H.

Wien (Vienna), Austria
Internal Phone: (0222) 277-97-0
FAX: (0222) 270-26 61
Outside Phone: +43-1-277-97-0
FAX: +43-1-270-26-61

AMP Packaging Systems

Dublin, Ireland
Phone: +353-1-806-6500
FAX: +353-1-806-6501

AMP Polska Sp.z.o.o.

Warszawa
Phone: +48-22-672-47-90/91/92
FAX: +48-22-672-47-88

AMP Portugal, Lda., Lisbon

Phone: +351-1-387-70-16
FAX: +351-1-387-71-72

Romania, Bucharest

Phone: +40-1-311-3479/3596
FAX: +40-1-312-0574

Russia, Moscow

Phone: +7-095-926/
5506/07/08/09
FAX: +7-095-926-5505

Slovakia, Bystrica

Phone: +421-88-761-120/121
FAX: +421-88-761-122

AMP d.o.o. in Slovenia

Ljubljana
Phone: +386-61-161-3270
FAX: +386-61-161-3240

South Africa, Johannesburg

Phone: +27-11-805-65-35
FAX: +27-11-805-65-40

AMP Svenska AB

Stockholm-Jakobsberg
Phone: +46-8-580-833-00
FAX: +46-8-580-194-70

AMP (Schweiz) AG

Steinach, Switzerland
Phone: +41-71-447-0447
FAX: +41-71-447-0444

Ukraine, Kiev

Phone / FAX : +38-044-246-5501

For Middle East/African Countries not shown

Phone: +33-1-34-20-83-83
FAX: +33-1-34-20-86-09

Related Business

ARA – Applied Robotics and Automation

Rousset Cedex, France
Phone: +33-4-42-29-1200
FAX: +33-4-42-29-1212

DSM Decolletage S.A. Saint-Maurice

Saint-Maurice, Switzerland
Phone: +41-24-486-2486
FAX: +41-24-486-2400

HTS Division

Neunkirchen, Germany
Phone: +49-2247-305-0
FAX: +49-2247-305-122

AMP M/A-COM Division

Americas
Phone: +1-508-442-5000
FAX: +1-508-442-5354

Europe/Middle East/Africa

Phone: +44-1344-869595
FAX: +44-1344-300020

Asia/Pacific

Phone: +852-2111-8088
FAX: +852-2111-8087

AMP-SIMEL S.A.

Gevey - Chambertin, France
Phone: +33-3-805-83200
FAX: +33-3-8034-1015

INTERNET : <http://www.amp.com>

For more information please contact your local AMP representative.
AMP, ACTION PIN and Connecting at a HIGHER level are trade marks.

889875 - 1.5 M - 10-98 NL