

Ampliset repair Kit

Ideal for Service and Repair

Features:

- 1-off Superchamp II hand tool
- A small quantity of 21 of the most common pre-insulated terminals and splices
- Packaged in a compact plastic wallet

For more detail please see information flyer 1308204

Image representative of type only



Part Number	Description	mm ² (AWG) or other
725972	Pre-insulated Terminals & Splices	0.5 - 6.6 (22-10)

Only the most popular options are listed here, please use our online search by terminal PN to find the right tool for your application, and contact us where information is unclear or missing - there may well be something available for your requirement.

Service Kit - SUPERCHAMP II

Ideal for Service and Repair

Features:

- Superchamp II hand tool
- A small quantity of the most common pre-insulated terminals and splices
- Packaged in a hard plastic snap-shut case

For more detail please see information flyer 1308204

Image representative of type only



Part Number	Description	mm ² (AWG) or other
725922	Installation, service and repair for Electrician's	0.5 - 6.6 (22-10)
725929	Service and repair for Automotive applications	0.5 - 6.6 (22-10)

Only the most popular options are listed here, please use our online search by terminal PN to find the right tool for your application, and contact us where information is unclear or missing - there may well be something available for your requirement.

Service Kit - CRIMPAC CG

Ideal for Service and Repair

Faster crimping than Service Kit PN 725922 as the CRIMPAC AG Hand Tool crimps both wire and insulation simultaneously

Image representative of type only

Features:

CRIMPAC CG hand tool

Twice the quantity of terminals and splices supplied in Service Kit PN 725922

Packaged in a hard plastic snap-shut case

For more detail please see information flyer 1308204



Part Number	Description	mm ² (AWG) or other
725923	Installation, service and repair for Electrician's	0.5 - 6.6 (22-10)
<i>Only the most popular options are listed here, please use our online search by terminal PN to find the right tool for your application, and contact us where information is unclear or missing - there may well be something available for your requirement.</i>		

Universal Service Tool Kit

Ideal for Service and Repair

Features:

Comprises:

Service Kit Tool 3-1579000-0

Interchangeable Die-sets for:

PIDG, PLASTIGRIP Green/Yellow

PIDG, PLASTIGRIP Red/Blue

FASTON; FASTIN-FASTON 0.5 - 6.0 (22-10)

SOLISTRAND Terminals & Splices 0.5 - 6.0 (22-10)

Wire End Ferrules 0.25 - 6.0 (24-10)

Image representative of type only



Part Number	Description	mm ² (AWG) or other
1-1579010-5	Universal Service Tool Kit	see relevant Die
<i>Only the most popular options are listed here, please use our online search by terminal PN to find the right tool for your application, and contact us where information is unclear or missing - there may well be something available for your requirement.</i>		

Starter Kit

Ideal for Service and Repair

Features:

A strong all purpose Carry Case
Termination Tool Kit
25 Jacks
Instruction Sheet
CD-Rom with videos showing step-by-step cable termination & printable instructions

Image representative of type only



Part Number	Description	mm ² (AWG) or other
2-1579010-7	110 SL Series Shielded Jacks	0.2 (24) stranded 0.2-0.4 (24-22) solid
2-1579010-6	110 SL Series Unshielded Jacks	0.2 (24) stranded 0.2-0.4 (24-22) solid
2-1579010-9	AMP TWIST Jacks	0.2 (24) stranded 0.2-0.4 (24-22) solid
2-1579010-8	Cat5e SL Jacks	0.2 (24) stranded 0.2-0.4 (24-22) solid

Only the most popular options are listed here, please use our online search by terminal PN to find the right tool for your application, and contact us where information is unclear or missing - there may well be something available for your requirement.

Installers Kit

Ideal for Installation, Service and Repair

Features:

A strong all purpose Carry Case
SL110 Jack Termination Tool Kit
Premium Impact Tool
Cable Stripper
4-Pair Cable tester
Palm Tool
Wire Cutters
Cross-head & Flat-bladed Screwdrivers
Instruction Sheet
CD-Rom with videos showing step-by-step cable termination & printable instructions

Image representative of type only



Part Number	Description	mm ² (AWG) or other
2-1579010-1	110 SL Jacks & AMP TWIST 6S SL	0.2 (24) stranded 0.2-0.4 (24-22) solid

Only the most popular options are listed here, please use our online search by terminal PN to find the right tool for your application, and contact us where information is unclear or missing - there may well be something available for your requirement.

Pistol Grip tool kit for 2mm FB + HM

1490375-1 for Shielded 2mm FB connectors

Features:

- Pistol Grip hand tool
- Module feed tracks 2 x 4 posn. & 2 x 5 posn.
- Bench clamp, cable support bar & brush
- Hex. Keys; 1.5, 2.5, 3 & 4mm
- Durable plastic carry case with foam insert
- All you need to apply 2mm FB connectors

Image representative of type only



Pistol Grip Kit for RV-100

Task specific Kits for RV-100 Connectors

Features:

- Kit Comprises:
- Pistol Grip Hand Tool
- Bench Clamp
- Service Tool
- Replacement contacts
- Durable plastic carry case with foam insert.

Image representative of type only



See relevant Instruction Sheet for exact list

Part Number	Description	mm ² (AWG) or other
528405-7	RV-100 23 Posn.	0.06 - 0.4 (30-22)
658164-3	RV-100 MULTIPLEXER 16 Posn. RV-100 32, 48, 64, 80, 96 Posn.; RV-100-4 32 Posn.	0.05 - 0.35 (30-22)

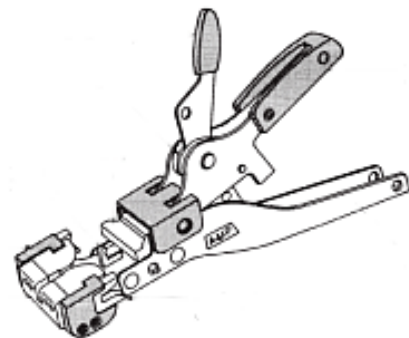
Only the most popular options are listed here, please use our online search by terminal PN to find the right tool for your application, and contact us where information is unclear or missing - there may well be something available for your requirement.

VS-3 Hand Tool Kit

Features:

- Kits comprise:
- Hand Tool
- Crimp Height Gauge
- Black Nylon Chord
- Repair Tag
- Durable Plastic Carry-case

Image representative of type only



Optional Tool Holder 229755-1

Part Number	Description	mm ² (AWG) or other
244271-1	PICABOND	(28-19)
244271-5	PICABOND (includes Tool Holder 229755-1)	(28-19)
244271-3	PICABOND Mini	(28-19)

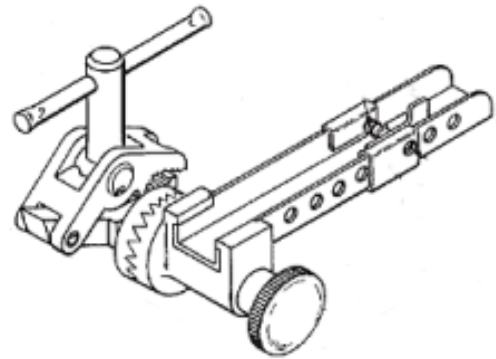
Only the most popular options are listed here, please use our online search by terminal PN to find the right tool for your application, and contact us where information is unclear or missing - there may well be something available for your requirement.

VS-3 Hand Tool Holder

Features:

- Cable Clamp with 360° rotation
- Serrated Jaws
- Tool lock

Image representative of type only



Part Number	Description	mm ² (AWG) or other
229755-1	VS-3 Hand Tool Holder	

Only the most popular options are listed here, please use our online search by terminal PN to find the right tool for your application, and contact us where information is unclear or missing - there may well be something available for your requirement.