

Die-set - SDE (shoulder)

Predominately used on closed-barrel terminals.

These Dies are ideally suited to R&D prototyping, networking, commercial & industrial and all manor of maintenace applications.

Image representative of type only

Features:

Use in:

SDE PRO-CRIMPER III Hand Tool 354940-1

SDE PEW 12 Hand Tool 9-1478240-0

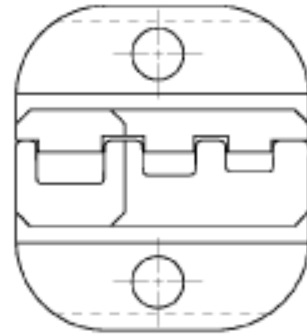
SDE DA Hand Tool 1213745-1

SDE BATTERY TOOL (Kit) 1725837-2/-5 for shoulder dies

SDE 626 Head 679304-1 + accessories

SDE Electric Terminator 1490076-2

SDE Bench Press Adapter 1579000-8 + Press 1481004-7



Part Number	Description	mm ² (AWG) or other
58436-1	50Ω BNC & TNC - Hex Crimp	RG 58, 62, 59
58509-1	BUDGET SOLISTRAND	0.4 - 6.0 (22-10)
58573-2	Spare Wire Cap	0.15 - 6.0 (26-10)
91902-1	Coax - N Series	RG 141
58436-3	Coax	RG 174, 188, 316, 179, 161, 187
1424050-1	Coax	RG 174, 188
58536-1	Coax	RG 71 B
58489-1	Coax - Hex COMMercial	RG 161, 174, 179, 187, 188, 316
58485-1	Coax - Hex COMMercial	RG, 8, 9, 11, 213, 214, 216
58560-2	MODULAR PLUG connectors	10 Posn
790163-6	MODULAR PLUG - 8 Posn	
790163-4	MODULAR PLUG - 8 Posn Shielded	
224928-2	MODULAR PLUG - 8 Posn, strain relief	Ø4.70 - 5.76 Ins. Ø0.19-0.22mm
790163-2	Modular Plug 8 Position Shielded	0.15 - 0.2 (26-24) CAT 6
91911-3	MULTI-MATE - Submin	RG 174
58424-1	Optimate ST	Cable Dia 3 mm
58423-1	PIDG, PLASTI-GRIP - RBY All Types including PIDG FASTON Flag 22-18 & 16-14	0.4 - 6.0 (22-10)
58545-1	SOLISTRAND Terminals & Splices	0.4 - 6.0 (22-10)

Only the most popular options are listed here, please use our online search by terminal PN to find the right tool for your application, and contact us where information is unclear or missing - there may well be something available for your requirement.

Die-set - SDE (pin)

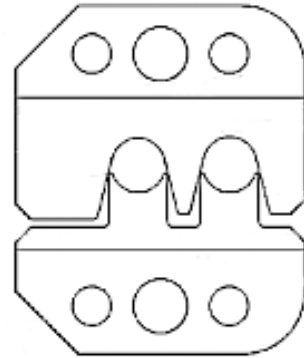
Predominately used on open-barrel terminals.
 These Dies are ideally suited to R&D prototyping, networking, commercial & industrial and all manor of maintenace applications.

Image representative of type only

Features:

Use in:

- SDE PRO-CRIMPER III Hand Tool 354940-1
- SDE PEW 12 Hand Tool 9-1478240-0
- SDE DA Hand Tool 1213745-1
- SDE BATTERY TOOL (Kit) 1213890-2/-5 for pin dies
- SDE 626 Head 679304-1 + accessories
- SDE Electric Terminator 1490076-2
- SDE Bench Press Adapter 1579000-8 + Press 1481004-7



Part Number	Description	mm ² (AWG) or other
91387-2	4.2 PE series	0.15 - 0.4 (26-22)
91388-2	4.2 PE Series	0.4 - 1.0 (22-18)
1891358-1	AMP EI Receptacle	0.15 - 0.6 (26-20)
58448-3	AMPLIMITE HD-20	[28-20]
90800-2	AMPLIMITE HD-22	0.08 - 0.4 (28-22)
58641-2	AMPMODU IV, V	0.15 - 0.4 (26-22)
217212-2	Closed End Splice	1.0 - 6.0 (18-10)
90872-2	COMM 0.93 mm	0.2 - 1.0 (24-18)
90574-2	Commercial MATE-N-LOK	0.2 - 0.96 (24-18)
90575-2	Commercial MATE-N-LOK	0.6 - 2.5 (20-14)
58517-2	CST-100	0.15 - 0.4 (26-22)
58548-2	EI Receptacle	0.15 - 0.6 (26-20)
58652-2	FASTON 2.8 (.110) Receptacle	0.6 - 1.5 (20-16)
58524-2	FASTON 6.3 [.250] Receptacle	1.0 - 2.5 (18-14)
91304-2	Junior Power TIMER 2.8 (SWS) & Micro TIMER	0.5 - 1.0 (22-18)
58603-2	Junior Power TIMER; TAB 2.8	0.75 - 2.5 (20-14)
1752938-2	MATE-N-LOK 3.5 (.140)	0.75 - 1.64 (18-16)
90760-2	Mini Universal MATE-N-LOK	[20-16]
90759-2	Mini Universal MATE-N-LOK	[22-18]
90758-2	Mini Universal MATE-N-LOK	0.15 - 0.4 (26-22)
58707-2	Mini-Universal MATE-N-LOK	0.6 - 1.5 (20-16)
58522-2	MULTILOCK 040	0.4 - 0.6 (22-20)
90652-2	MULTILOCK 040 MkII	0.4 - 1.0 (22-18)
90653-2	MULTILOCK 070	0.4 - 0.6 (22-20)
58606-2	Pin/Socket Ø1.5 & Ø2.5 (SWS)	1.0 - 2.5 (18-14)
58593-2	Power Quadlock	1.5 - 3.0 (16-14)
58594-2	Power Quadlock	4.0 (12)
58595-2	Power Quadlock (SWS)	1.5 - 2.5 (16-14)
58596-2	Power Quadlock (SWS)	4.0 (12)
58614-2	SL-156	0.2 - 1.0 (24-18)
58583-2	SUPERSEAL 1.5 series	0.5 - 1.0 (22-18)
58495-2	TYPE III+; TYPE VI	0.08 - 1.5 (28-16)
58628-2	ULTRA FAST (excluding Flag Terminals)	0.15 - 2.5 (26-14)
58630-2	ULTRA FAST	4.0 - 6.0 (12-10)
90546-2	Universal MATE-N-LOK	0.5 - 2.1 (20-14) Ins. Ø1.53-3.30 mm
90547-2	Universal MATE-N-LOK	0.5 - 2.1 (20-14) Ins. Ø3.30-5.08mm

Only the most popular options are listed here, please use our online search by terminal PN to find the right tool for your application, and contact us where information is unclear or missing - there may well be something available for your requirement.

SDE PRO-CRIMPER III

354940-1 - Base Tool without Die-set

An alternative to SDE PEW 12 & SDE DA hand tools, but with different features and a different geometry

Image representative of type only

Features:

- Accepts all SDE Shoulder & Pin Dies
- Ratchet mechanism ensures complete crimp cycle
- Emergency ratchet release feature
- Ergonomic non-slip handles
- Approximate weight 0.59 kg (1.3 lbs)



Part Number	Description	mm ² (AWG) or other
58448-2	AMPLIMITE HD-20	[28-20]
90800-1	AMPLIMITE HD-22	0.08 - 0.4 (28-22)
90760-1	Mini Universal MATE-N-LOK	[20-16]
90759-1	Mini Universal MATE-N-LOK	[22-18]
790163-1	Modular Plug 8 Position Shielded	0.15 - 0.2 (26-24)
58433-3	PIDG, PLASTI-GRIP - RBY All Types including PIDG FASTON Flag 22-18 & 16-14	0.4 - 6.0 (22-10)
58593-1	Power Quadlock	1.5 - 3.0 (16-14)
58594-1	Power Quadlock	4.0 (12)
58595-1	Power Quadlock (SWS)	1.5 - 2.5 (16-14)
58596-1	Power Quadlock (SWS)	4.0 (12)
58546-1	SOLISTRAND Terminals & Splices	0.4 - 6.0 (22-10)
58546-2	SOLISTRAND Terminals & Splices	0.4 - 6.0 (22-10)

Only the most popular options are listed here, please use our online search by terminal PN to find the right tool for your application, and contact us where information is unclear or missing - there may well be something available for your requirement.

SDE DA Hand Tool

1213745-1 - Base Tool without Die-set

Designed specifically for closed barrel applications.

Image representative of type only

Features:

- Accepts all SDE Shoulder & Pin Dies
- High mechanical advantage for enhanced user comfort
- Ratchet mechanism ensures complete crimp cycle
- Emergency ratchet release feature
- Ergonomic non-slip handles
- Approximate weight 0.59 kg (1.3 lbs)



Die-set - SDE SA

These dies can have up to five crimp positions and are NOT suitable for use in the SDE Procrimper III Hand Tool

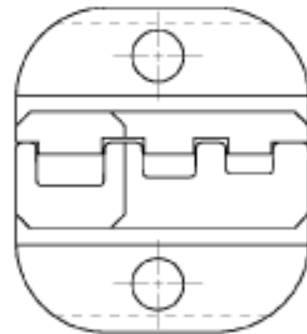
Image representative of type only

Features:

Use in:

SDE PEW 12 Hand Tool 9-1478240-0
 SDE BATTERY TOOL (Kit) 1725837-2/-5 for shoulder dies
 SDE 626 Head 679304-1 + accessories
 SDE Electric Terminator 1490076-2
 SDE Bench Press Adapter 1579000-8 + Press 1481004-7

(not for use in SDE PRO-CRIMPER III Hand Tool 354940-1)



Part Number	Description	mm ² (AWG) or other
2063030-1	PIDG, PLASTI-GRIP Terminals & Splices with Terminal Locator	[22-10]
2063379-2	Universal MATE-N-LOK	0.5 - 2.0 Ins. Ø1.4-2.4mm

Only the most popular options are listed here, please use our online search by terminal PN to find the right tool for your application, and contact us where information is unclear or missing - there may well be something available for your requirement.

Die-set - SDE SA Plus

These dies can have up to five crimp positions and are NOT suitable for use in the SDE Procrimper III Hand Tool

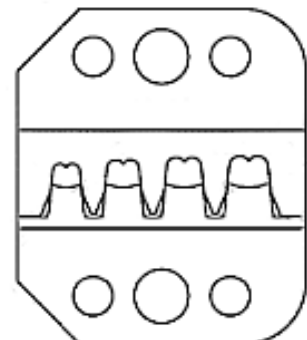
Image representative of type only

Features:

Use in:

SDE PEW 12 Hand Tool 9-1478240-0
 SDE BATTERY TOOL (Kit) 1213890-2/-5 for pin dies
 SDE 626 Head 679304-1 + accessories
 SDE Electric Terminator 1490076-2
 SDE Bench Press Adapter 1579000-8 + Press 1481004-7

(not for use in SDE PRO-CRIMPER III Hand Tool 354940-1)



Part Number	Description	mm ² (AWG) or other
9-1478247-0	Coax - GREENPAR	BT2003
9-1478243-0	Coax - GREENPAR	PSF 1/2M, Belden 8281, TM 3205
9-1478248-0	Coax - GREENPAR	RG 174, 178, 188... See 408-8698
9-1478245-0	Coax - GREENPAR	RG 174, 179, 187... see 408-8694
9-1478242-0	Coax - GREENPAR	RG 55, 58, 59, 62... see 408-8694
9-1478246-0	Coax - GREENPAR	RG 9, 58, 141... see 408-8694
2063583-2	HTS: HE/HA; HN D; HVT Contacts	0.14 - 4.0
2063041-2	Micro Quadlok	0.25 - 0.5 (24-22)
2031973-2	Universal MATE-N-LOK	0.2 - 2.0 Ins. Ø1.0-3.3mm

Only the most popular options are listed here, please use our online search by terminal PN to find the right tool for your application, and contact us where information is unclear or missing - there may well be something available for your requirement.

SDE SA

9-1478240-0 - Base Tool without Die-set

An alternative to PRO-CRIMPER III & SDE DA hand tools, but with different features and a different geometry

Image representative of type only

Features:

- Accepts all SDE; Shoulder, Pin & Plus Dies
- Ratchet mechanism ensures complete crimp cycle
- Virtually a straight action jaw closure
- Easy access ratchet release
- Handle pressure adjustment with locking device
- Ergonomic non-slip handles
- Approximate weight 0.59 kg (1.3 lbs)



Part Number	Description	mm ² (AWG) or other
9-1478239-0	Coax - GREENPAR	RG 8, 213... See 408-8695
1752938-1	MATE-N-LOK 3.5 (.140)	0.75 - 1.64 (18-16)
91391-1	Micro MATE-N-LOK	0.06 - 0.5 (30-20)
2063041-1	Micro Quadlok	0.25 - 0.5 (24-22)
2031973-1	Universal MATE-N-LOK	0.2 - 2.0 Ins. Ø1.0-3.3mm
2063379-1	Universal MATE-N-LOK	0.5 - 2.0 Ins. Ø1.4-2.4mm

Only the most popular options are listed here, please use our online search by terminal PN to find the right tool for your application, and contact us where information is unclear or missing - there may well be something available for your requirement.

Die-set - SDE Premium

These dies are based on the Double Action Hand Tools used in Aerospace & Military applications.

Image representative of type only

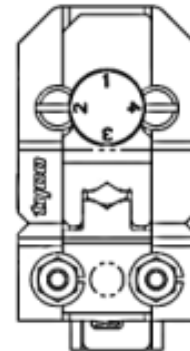
Features:

- Insulation crimp height adjustment
- Terminal locator & wire stop

Use in:

- SDE BATTERY TOOL (Kit) 1213890-2 for pin dies
- SDE Electric Terminator 1490076-2

Note: The Specifications shown against the Dies listed are only applicable when using terminals and wires recommended for the relevant industry



Part Number	Description	mm ² (AWG) or other
91964-2	PIDG, PLASTI-GRIP Terminals & Splices - equivalent crimp to 47386 Qualified; Mil-T-7928; LUL RSE 024 pt6 & EE6161 Marks the applied product with a two dot indent code.	0.4 - 1.5 (22-16)
91963-2	PIDG, PLASTI-GRIP Terminals & Splices - equivalent crimp to 47387 Qualified; Mil-T-7928; LUL RSE 024 pt6 & EE6161 Marks the applied product with a two dot indent code.	1.5 - 2.5 (16-14) 0.6 - 1.5 (20-16) HD
91965-2	PIDG, PLASTI-GRIP Terminals & Splices - equivalent crimp to 59239-4 Qualified; Mil-T-7928; LUL RSE 024 pt6 & EE6161 Marks the applied product with a two dot indent code.	4.0 - 6.0 (12-10)

Only the most popular options are listed here, please use our online search by terminal PN to find the right tool for your application, and contact us where information is unclear or missing - there may well be something available for your requirement.

SDE BATTERY TOOL Kit

Convert your existing Hand Tools into Powered!
 1213890-2 SDE Pin Dies, CLOSED head (EU Power Plug)
 1213890-5 SDE Pin Dies, CLOSED head (UK Power Plug)
 1725837-2 SDE Shoulder Dies, OPEN head (EU Power Plug)
 1725837-5 SDE Shoulder Dies, OPEN head (UK Power Plug)

Image representative of type only

Features:

Over 100 crimps per charge
 Compact - only 3560mm (14") long and weighs 1.57kg (3.48lbs)

The Tool Kit is supplied in a durable plastic carry case and includes:

- Battery Tool with the relevant SDE Head
- Battery Charger 220 v
- Two Batteries

for more information, please see the Power Assist section



SDE Electric Terminator

1490076-2 - Portable Bench-top Unit with SDE Head & Foot Switch

Image representative of type only

Features:

Ideal for low to medium production volumes.
 Accepts any SDE Die-set
 Mains powered unit - no air required
 Switchable 110v or 240v supply
 Cycle Counter
 Two stage crimp cycle option

for more information please see the Power Assist section



SDE 626 Pneumatic

Ideal for low to medium production volumes.

Image representative of type only

Features:

Accepts any Pin / Shoulder SDE Die-sets
 All pneumatic

Options for SDE 626 Head 679304-1:
 Tool Holder with Ratchet 356302-1 (pictured)
 or Tool Holder without Ratchet 189767-1
 and
 Hand held power unit 189721-1 (pictured)
 or Foot actuated Power Unit 189722-1

for more 626 options please see the Power Assist section



Part Number	Description	mm ² (AWG) or other
679304-1	Head Only - requires Tool Holder & Power Unit	4.0 - 6.0 (12-10)
1213855-1	Tool assembly comprising; 679304-1, 356302-1 & 189721-1	4.0 - 6.0 (12-10)

Only the most popular options are listed here, please use our online search by terminal PN to find the right tool for your application, and contact us where information is unclear or missing - there may well be something available for your requirement.

SDE Bench Press Adapter

1579000-8 - Adapter only

Features:

Adapts Bench Top Press SSC- 2FP (1481004-7 pictured) to take all SDE Shoulder & Pin Dies

for more information on the Press and Press options, please see the Power Assist section

Image representative of type only

